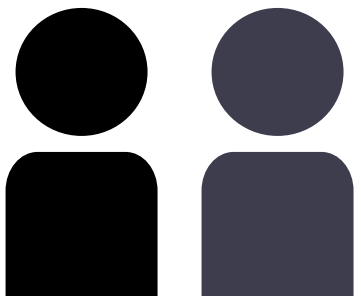
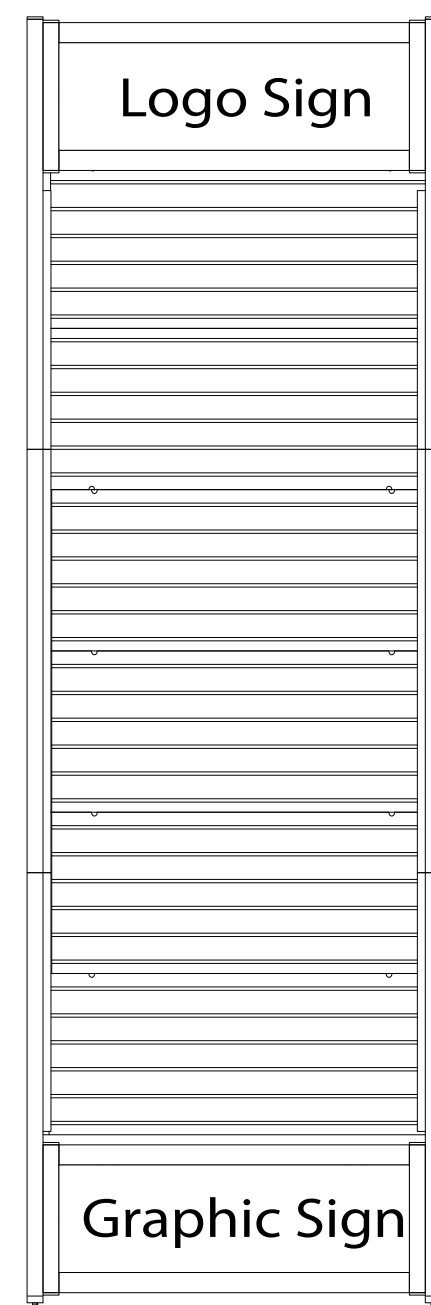


What is Included in the **Slat Wall Tower Display** Package

00:45
APPROX. 45 MINUTES SET /UP


RECOMMENDED 1 TO 2 PERSONS

**NO TOOLS
REQUIRED**
NO TOOLS



Model: **TADD Slat Wall Display 2 Foot**

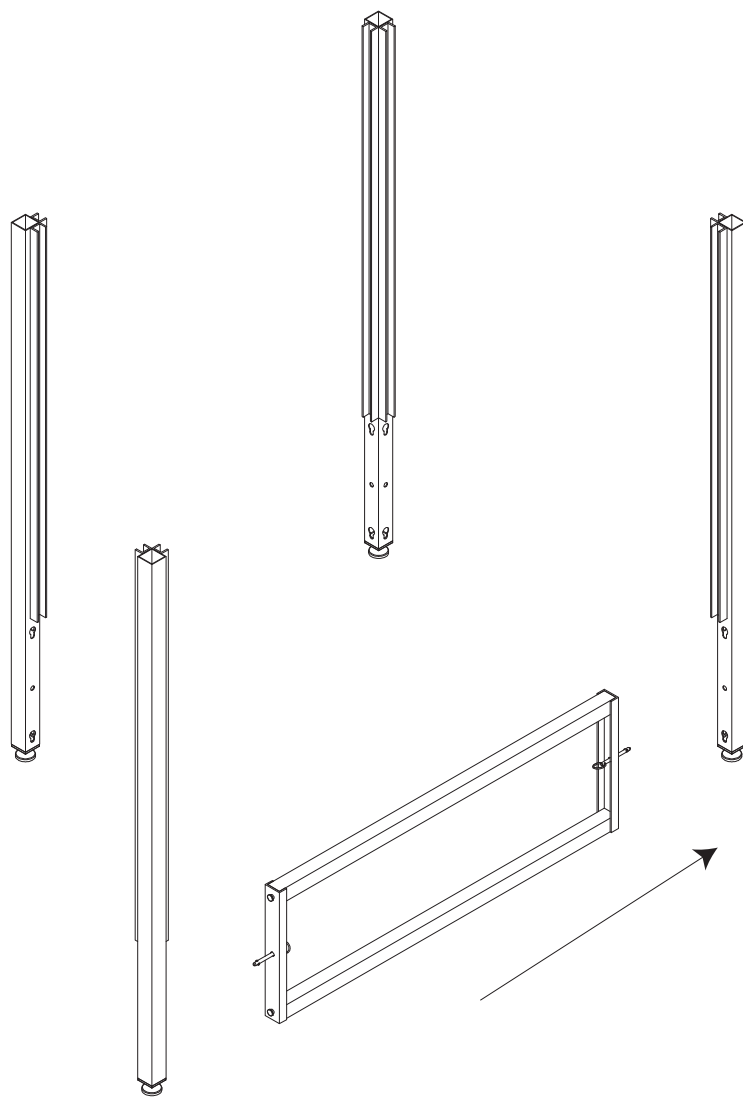
- 4 Bottom Tubes with Adjustable Foot Pegs
- 4 Top Tube Poles
- 4 Bottom H Frames with Slide on Pins
- 4 Top H Frames with Slide on Pins
- 24 Slat Wall PVC Panels (22 inches wide)
- Set Up Manuel
- Accessory Bag for Small Items

Cases and Signs sold Separately:

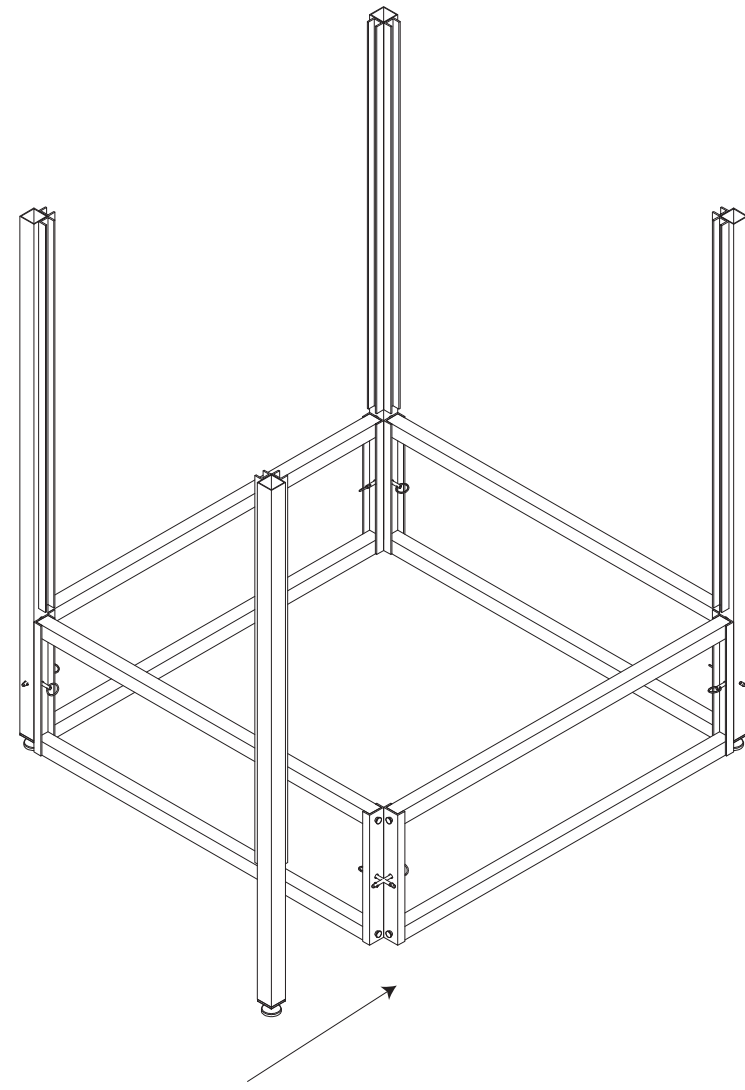
Tower ships in Cardboard Cartons unless cases are Purchased

TADD
INNOVATIONS
Display Products

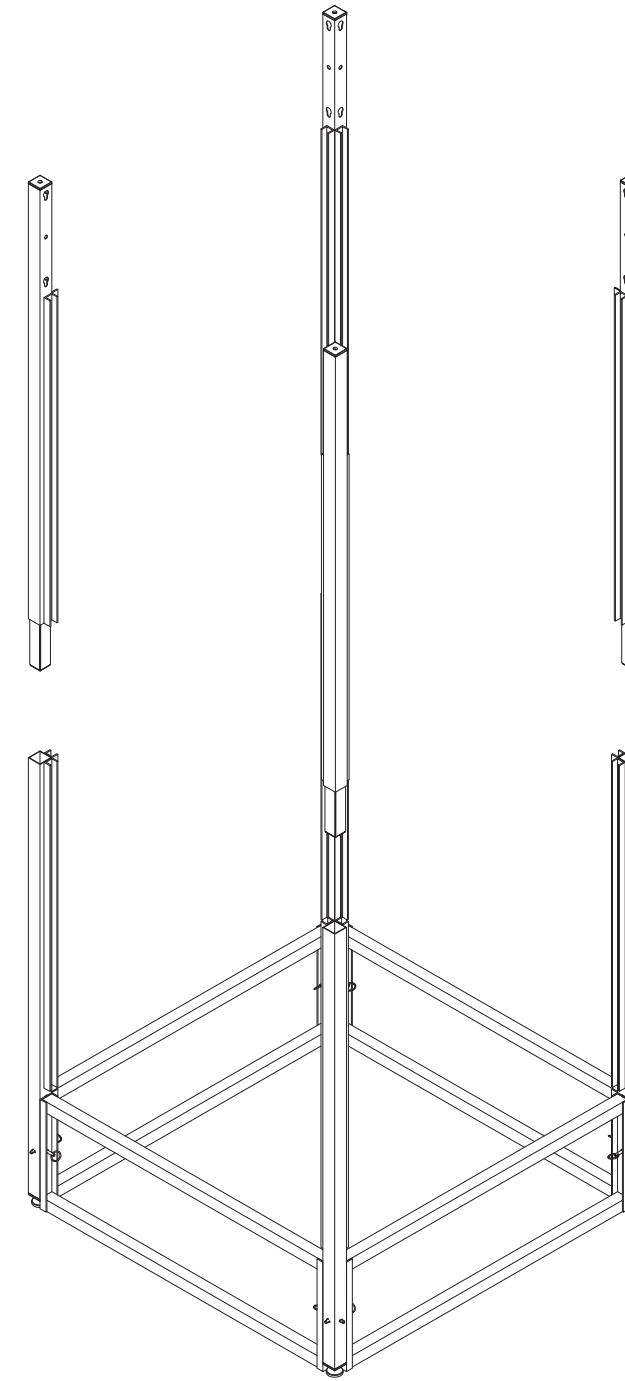
Step 1



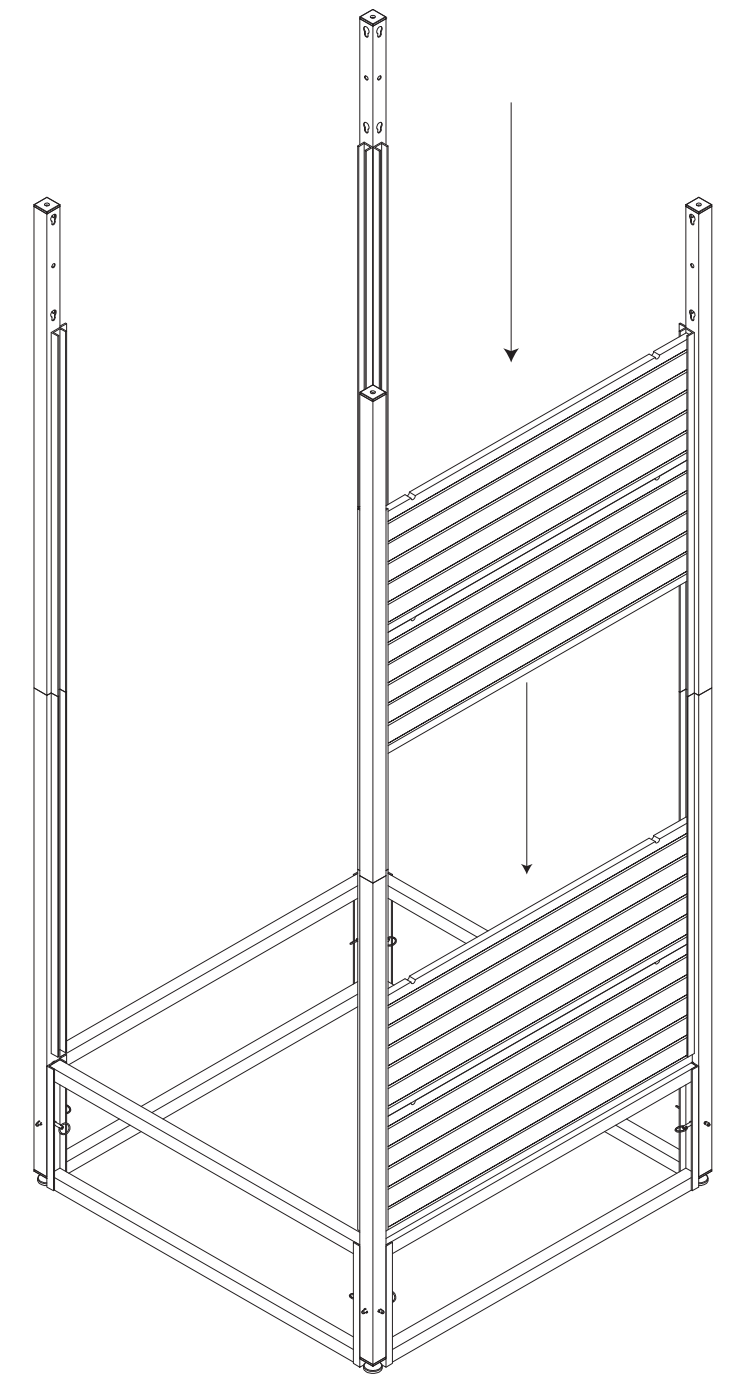
Step 2



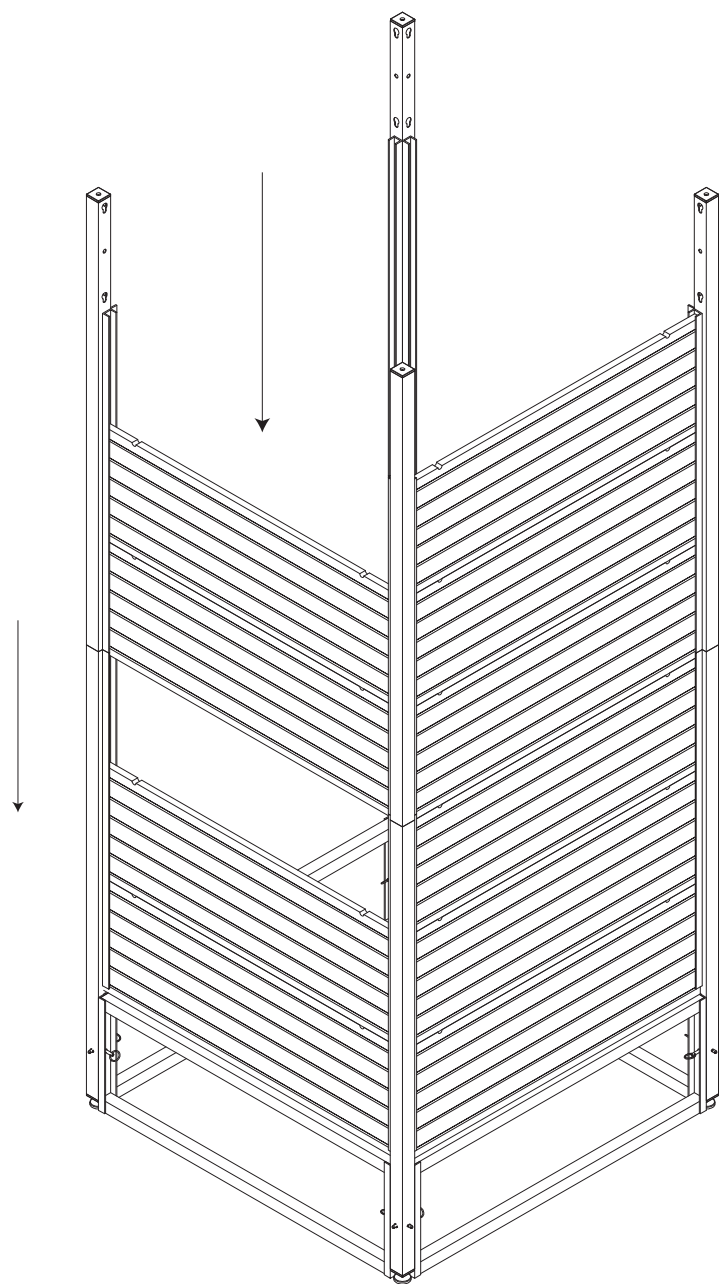
Step 3



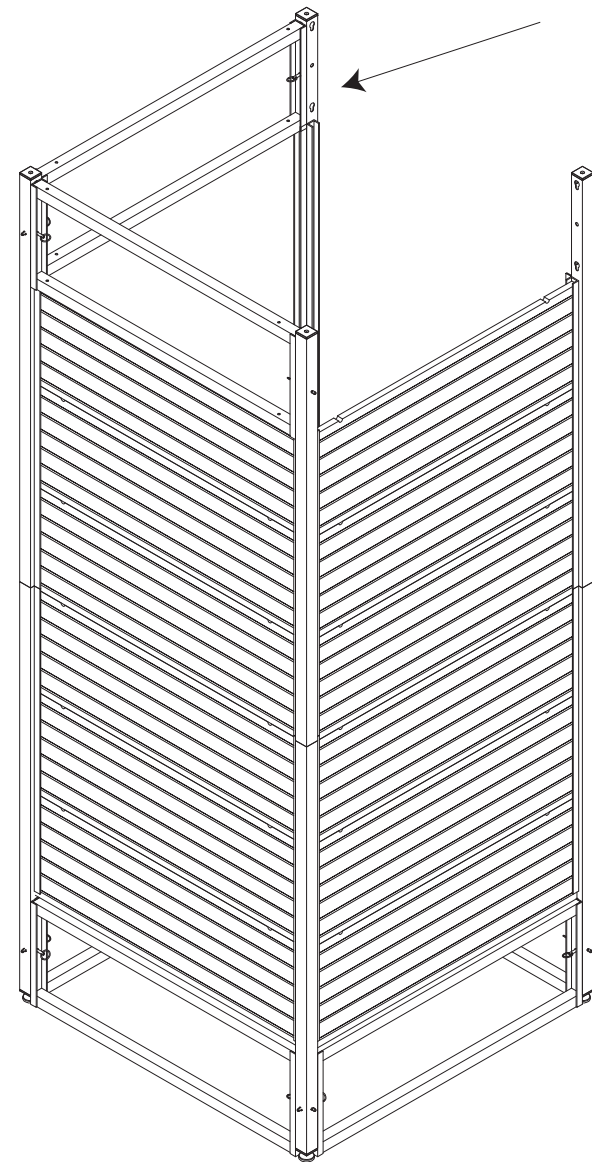
Step 4



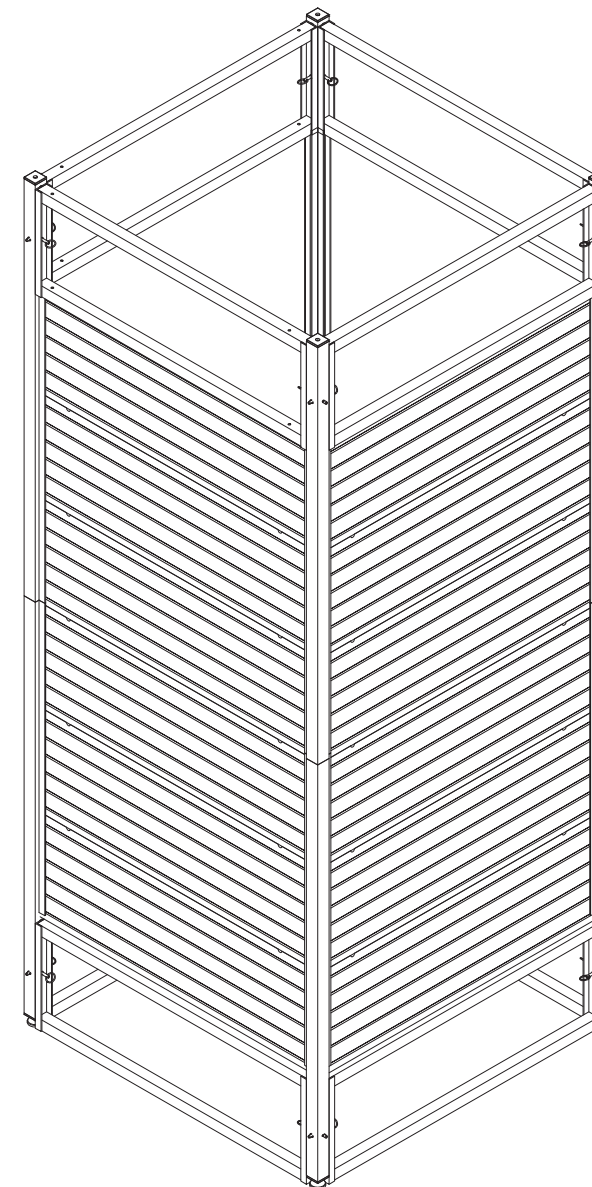
TADD
INNOVATIONS
Display Products



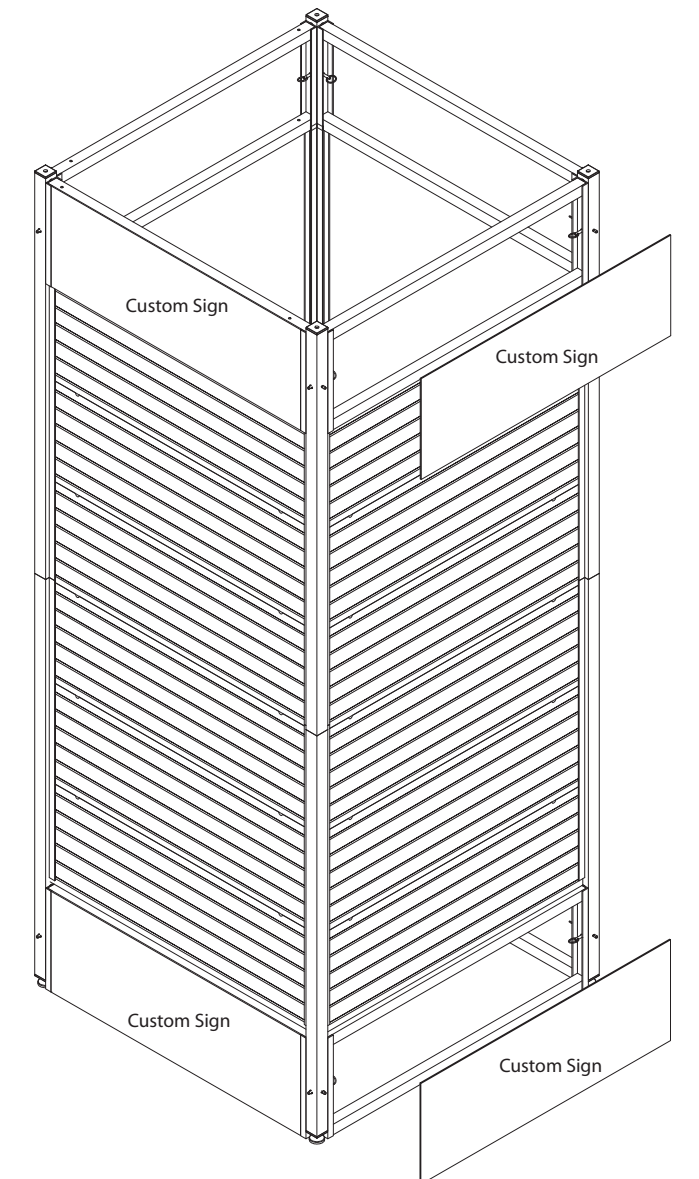
Step 5



Step 6



Step 7



Step 8