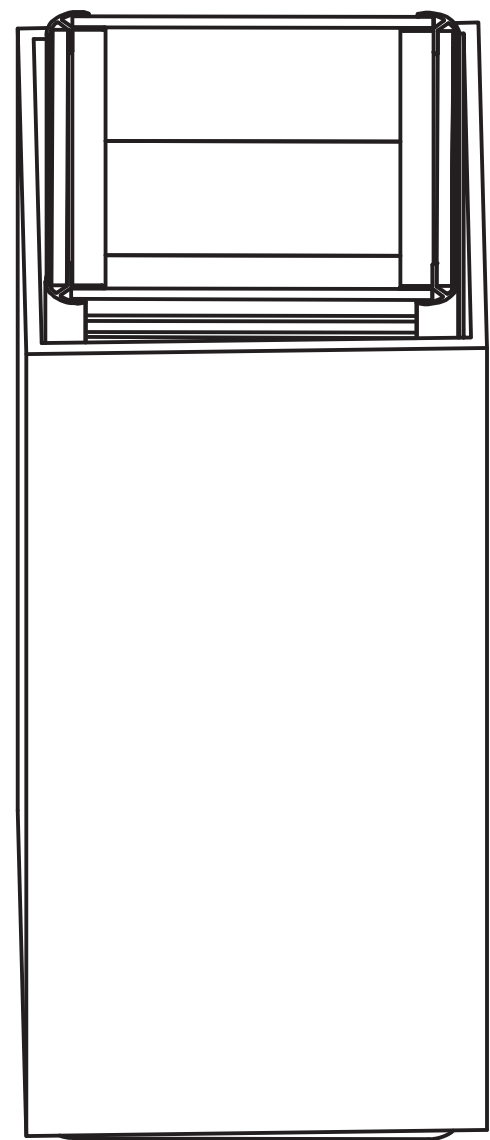


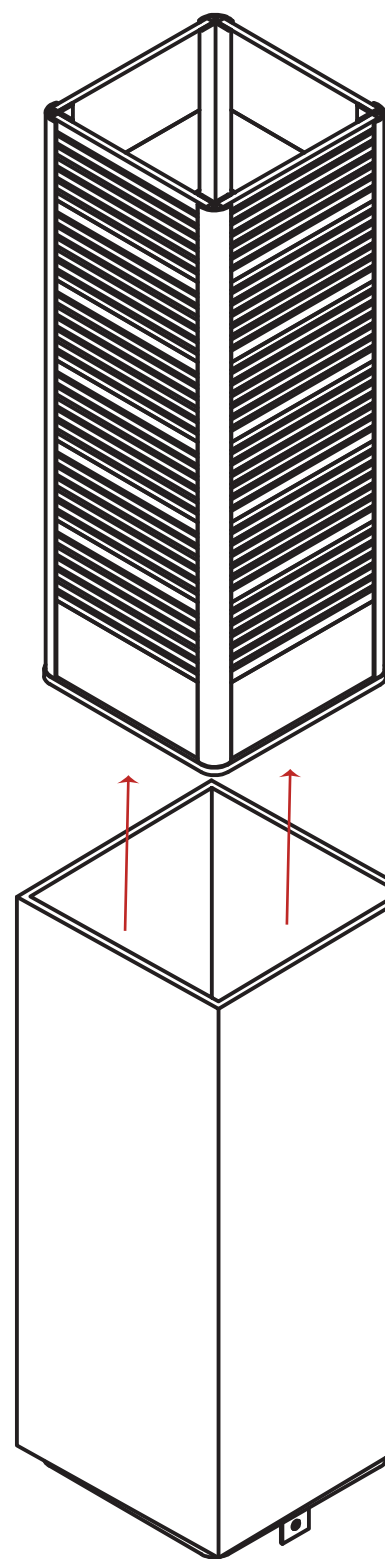
TADD

INNOVATIONS
Display Products

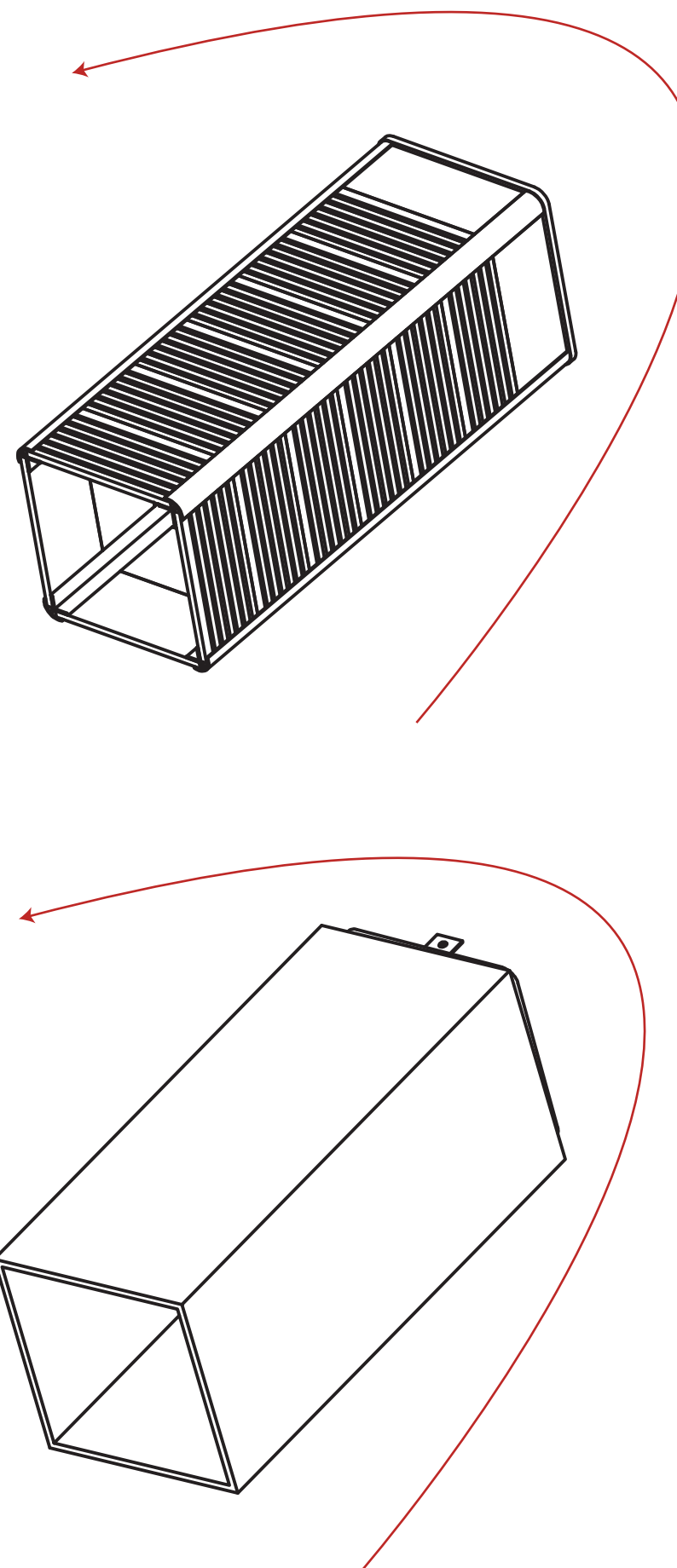
Mini Tower with Base



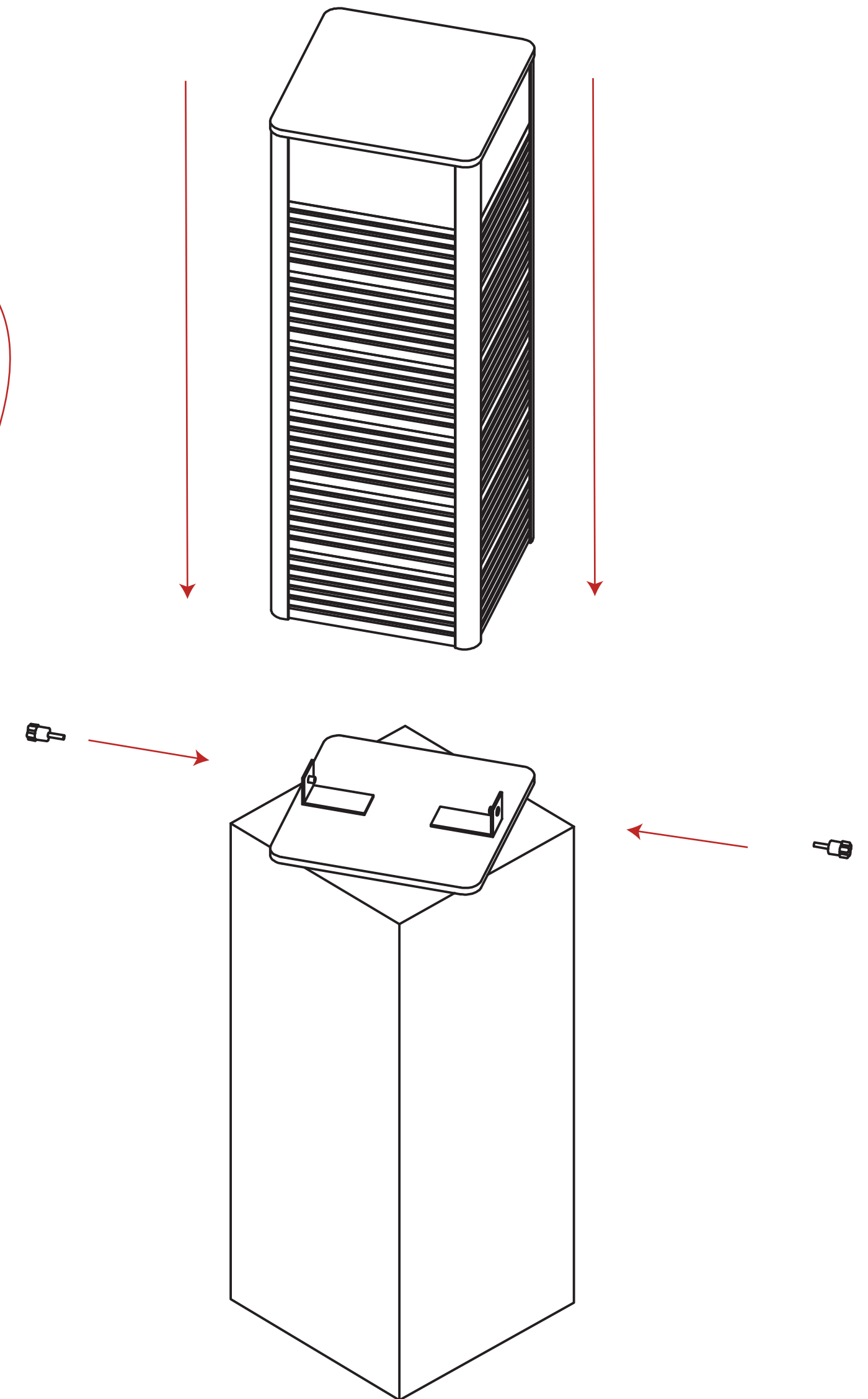
Remove tower from shipping carton



Pull slat wall tower from bottom of base



Flip base and tower upright



Place slat wall tower onto base and brackets
Use turning knobs to secure

Shown with spinning base, all bases and flat round bases set up the same.